

## 22 SERIES

- HALOGEN CYCLE CANDELABRA DOUBLE CONTACT BAYONET LAMPHOLDERS
- NICKEL PLATED STEEL SHELL • NON-GROUNDED
- 6" WIRE LEADS • NICKEL PLATED BRASS CONTACTS
- MAXIMUM RATINGS: 500 WATTS, 125 VOLTS
- UL AND CSA RECOGNIZED • UL FILE E20356 • CSA FILE LR15284-10/-14

### Overview

The 22 Series lampholders are constructed with a nickel plated steel shell with nickel plated brass contacts mounted in an insulating disc. Lampholders are supplied with two 6" wire leads and are non-grounded. The mounting brackets and shell are grounded independent of contacts. The "J" slot orientation is random unless otherwise specified. Many bracket and mounting options are available including a 15/16" mounting hole plug button and a threaded bushing for 13/32" mounting hole. Lampholders are designed for use with halogen cycle, candelabra bayonet lamps.

### Specifications

**Shell:** nickel plated steel.

**Center contacts:** nickel plated brass supplied with ceramic insulating disc.

**Spring:** stainless steel.

**Wire leads:**

**6" Leads:** #18 AWG, white, UL3135, nickel plated copper, braidless, silicone rubber insulation, UL/CSA rated 200°C, stripped 1/2". Non-grounded units are supplied with two 6" wire leads. Custom wire lengths, stripping, termination and wire types are also available.

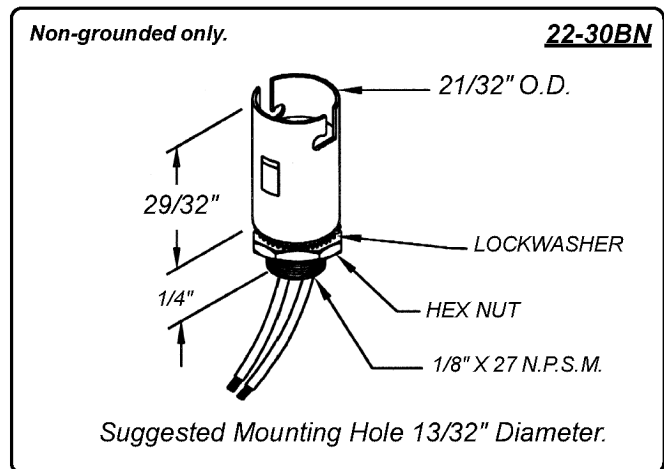
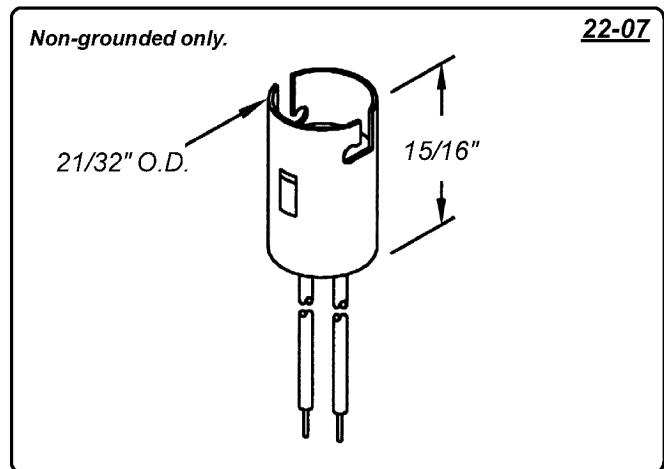
**Mounting:**

**Brackets:** 0.025" to 0.032" nickel plated steel. Custom brackets and plating types are available.

**Plug button:** zinc plated steel for 15/16" mounting hole.

**Threaded bushing:** for 13/32" diameter mounting hole. Supplied with lockwasher and hex nut.

**Maximum rating:** 500 Watts, 125 Volts.



**22 Series**  
**UL & CSA Recognized • Non-Grounded**  
**Maximum Rating: 500 Watts, 125 Volts**

**Nickel Plated Steel Shell**  
**Nickel Plated Brass Contacts**  
**6" Wire Leads**

